

LBS COLLEGE OF ENGINEERING, KASARAGOD

Tender Notice

Tender No. D-1156/2021- BSK- 32

Date: 12.10.2022

Sealed competitive tenders are invited by the Principal, LBS College of Engineering, Kasaragod from the authorized dealers for the **Supply of Computer Table and computer Chair** LBS College of Engineering, Kasaragod.

Description of item:-

The supply of the item should be as per the details given in the schedule

1. Period of completion of supply and installation within 30 Days from the date of supply order.
2. Cost of Tender form : Rs.500/-
3. EMD : Rs. 1160./-
4. Last date of sale of Tender form : 15.11.2022, 4 P.M
5. Last date of submission of Tender : 16.11.2022, 2 P.M
6. Date of opening Tender : 16.11.2022, 3 P.M
7. Validity of the Tender : 6 Months

Sale of Tender document : The complete set of Tender documents can be received from The Principal, LBS College of Engineering, Kasaragod on submission of a written application along with a non refundable fee of Rs. 500/- (Rupees Five Hundred only) in cash or DD.


PRINCIPAL

Copy to:

1. College Website
2. Notice Board



Specification Of item

Computer Table : 4 Nos

Specification

Size: 8*2 (feet).

Leg, Top & Bottom frame – 60*40*18 swg.

Total Height including top particle board - 75 cm

Height support piece 60*40*18swg square tubular powder coated frame.

Top, front 2438*610*18 mm both side laminated particle board.

Edge 2mm PVC.

Warranty : One year

Computer Chair : 10 Nos

Specification

25 mm powder coated tubular cantilever frame

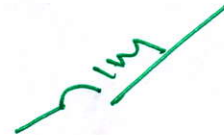
1.1mm wall thickness

500 x 600mm seat with 14mm treated plywood of density(55)

Moulded foam-covered fabric.

100 percent nylon fixed PP arm rest

Warranty : One year



PRINCIPAL



Computer chair specification

25mm powder coated tubular cantilever frame

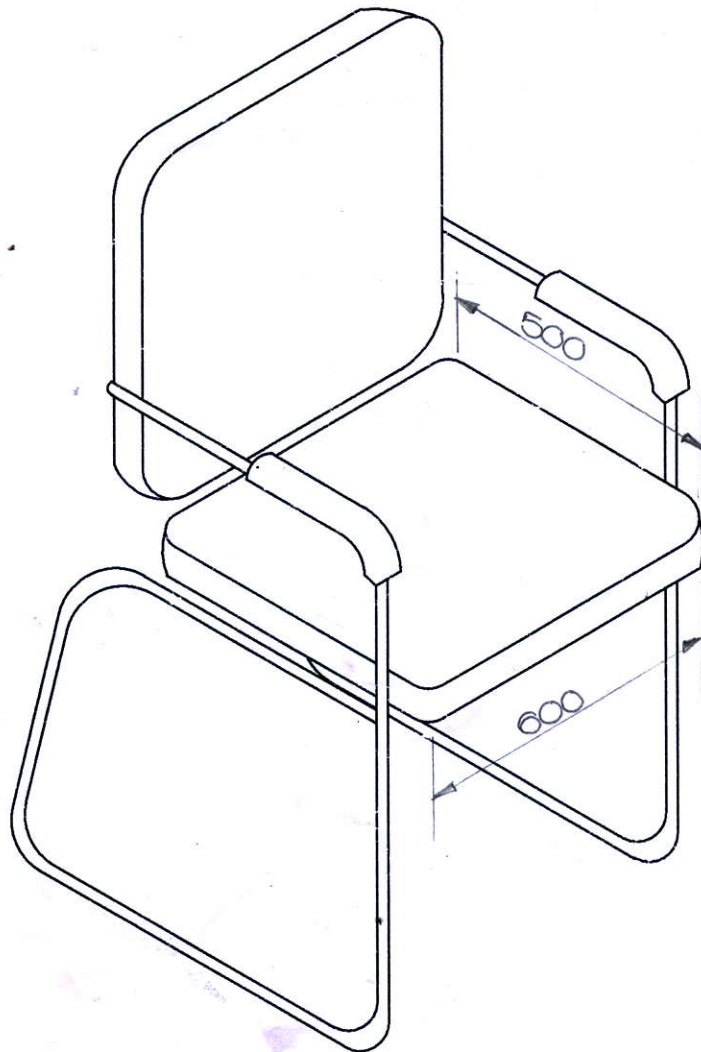
1.1mm wall thickness

500x600 mm seat with 14mm treated plywood of density (55)

Moulded foam-covered fabric

100 percent nylon fixed PP arm rest

warranty: one year.



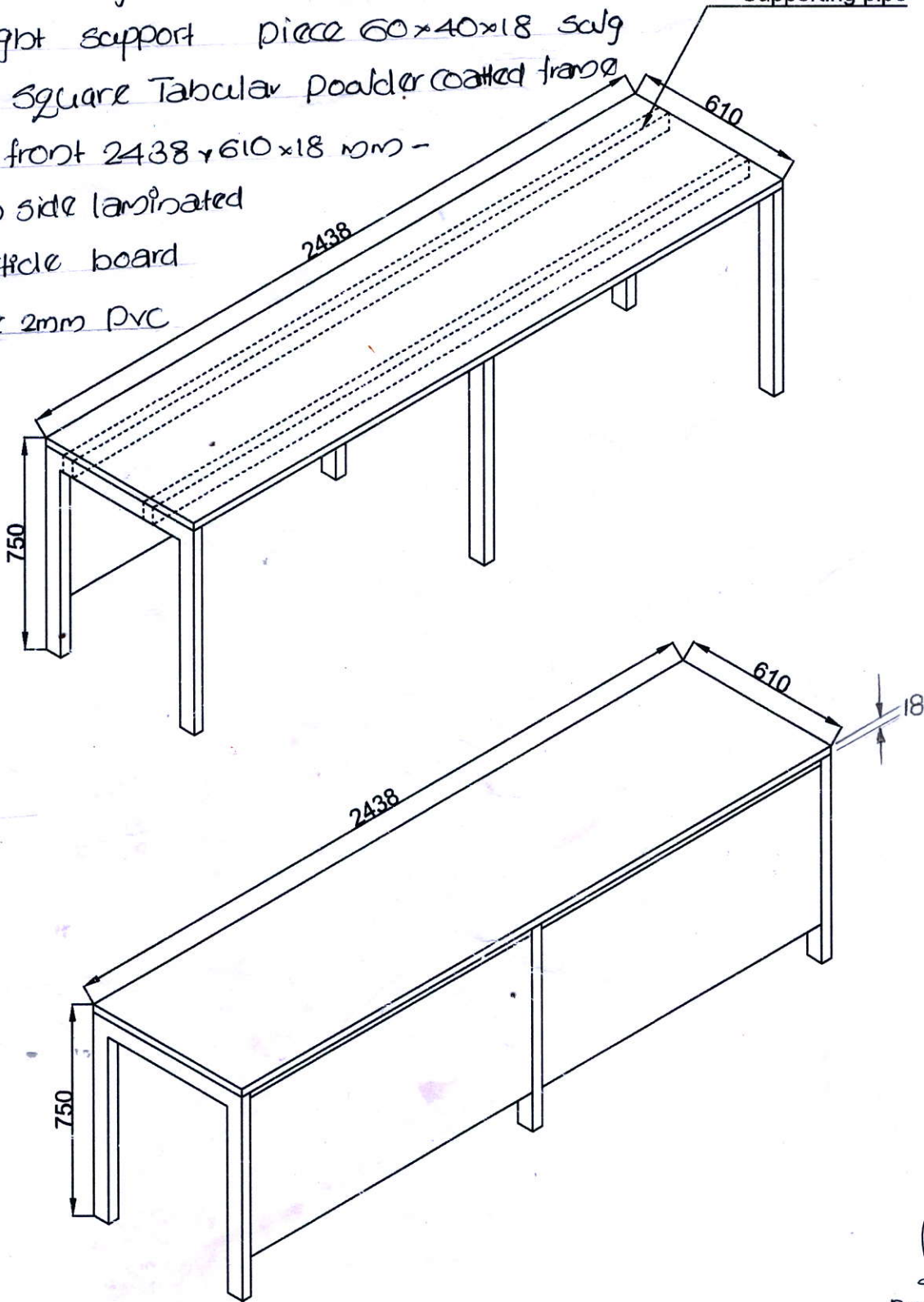
Details of Total Cost

Sl NO	Description of item	Unit Cost	Qty	Total price.
01	computer chair		10	

Beer
M. S. H. B. K.
(HOD ECE)

Computer Table Specification

- Size . 8x2 feet
- Leg Top & Bottom frame - 60x40x18 3Wg
- Total height including Top Particle board 75cm
- Height support piece 60x40x18 3wg
Square Tubular powder coated frame
- Top, front 2438 x 610 x 18 mm -
Both side laminated
particle board
- Edge 2mm PVC



warranty one year.

Done
Dr. Shekhar
(HOD ECE)

Sr. No	Description of items	Unit cost	Qty	Total price
01	Computer chair			